



EASE OF USE OF THE CONTROL HANDLE

UNIQUE BATTERY PROTECTION

360° ROTATABLE & DETACHABLE HANDLE

PROTECTION PADS

14,2 Kg

UNIQUE FORGED CURVED BLADES  
MAX CUTTING FORCE 324 Kn

THE LIGHTEST IN ITS  
RANGE: ONLY 14 Kg

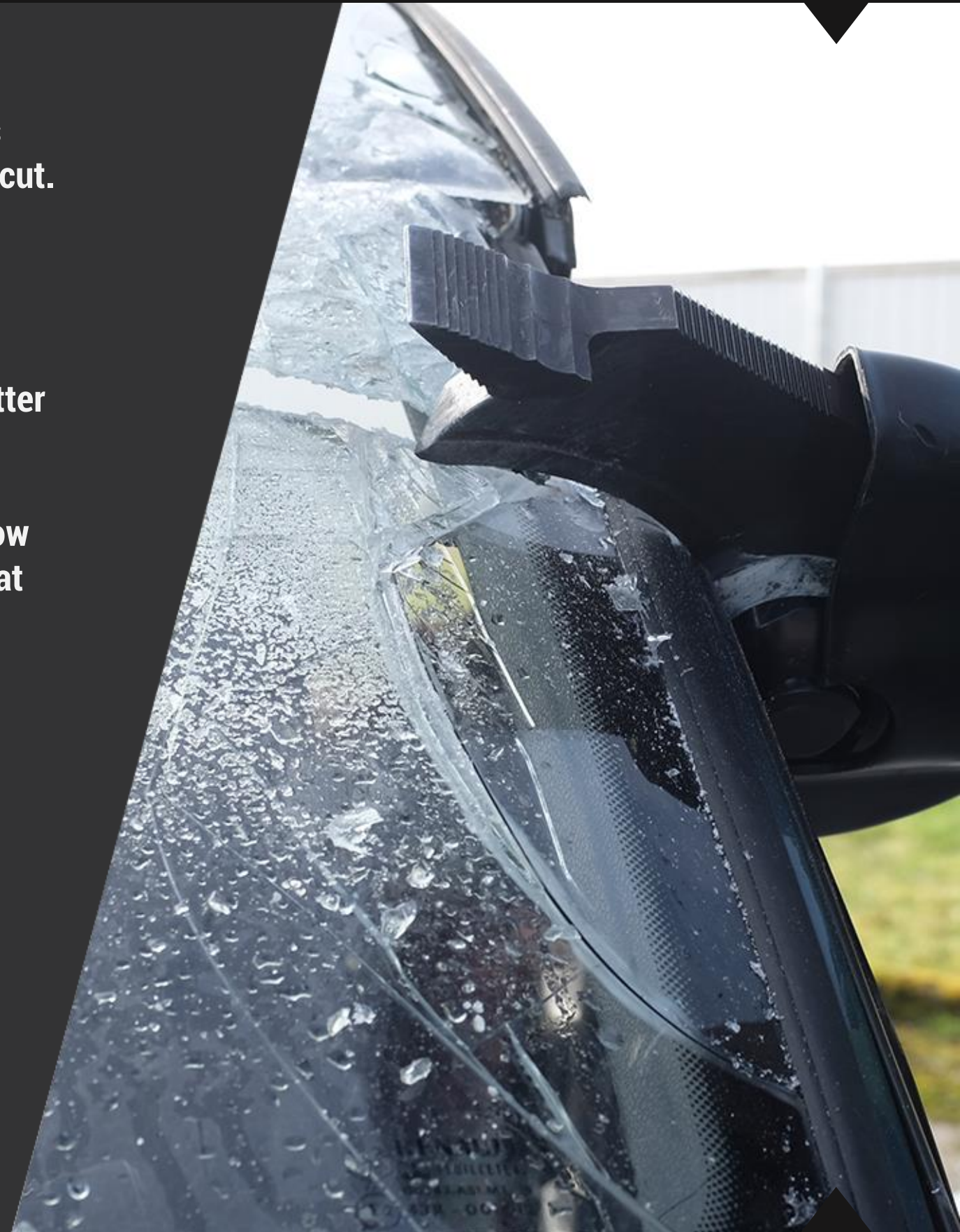
SPECIAL DESIGNED TIPS FOR BEST GRIP  
MAX SPREADING FORCE 603 Kn



**The SK combined tool is a very effective tool for applications such as door openings, enabling you to spread, squeeze and cut. It will be most used for first and rapid rescue operations in buildings and secluded areas after road traffic accidents.**

**The SK combined tool is the only one equipped with curved blades on the market. The shape of the blades brings the matter to the axis for optimum cutting while securing the operator.**

**The thin tips of the arms will ensure an excellent grip in narrow openings. The SK combined tool also boasts itself with a great cutting force.**





## AUTONOMY

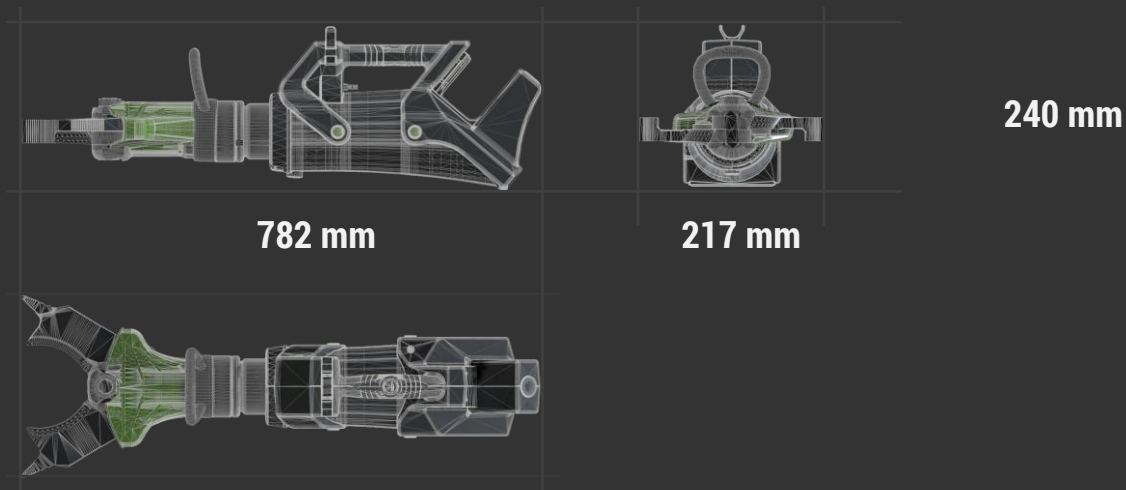
- ▶ Long operating time thanks to 5.0 Ah 28V capacity Li-ion battery
- ▶ Same battery fits all tools
- ▶ Batteries available at any Milwaukee dealer throughout the world

## ROBUST

- ▶ Fiber reinforced housing fitted with pads for hardest use
- ▶ Special housing design for extra battery protection
- ▶ Forged curved steel blades

## ERGONOMY

- ▶ 360° rotatable and detachable handle – ideal for restricted confined space operation
- ▶ Lightweight and balanced tool
- ▶ Special rocker lever for fine tuning and ease of use
- ▶ Non slip handle grip for solid tool utilization
- ▶ Intuitive ON/OFF switch with incorporated light



## TECHNICAL CHARACTERISTICS

Spreading distance	270 mm
Spreading force	38 – 603 Kn
Cutting force	324 Kn
Cutting force (round steel bar)	25 mm
Weight without battery	14.2 kg
L x l x H	782 X 232 X 240 mm
Working pressure	700 bar
EN Class	BK 30/265 E - 14